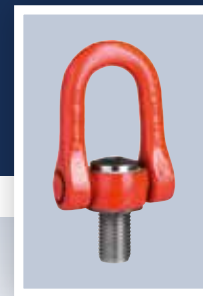


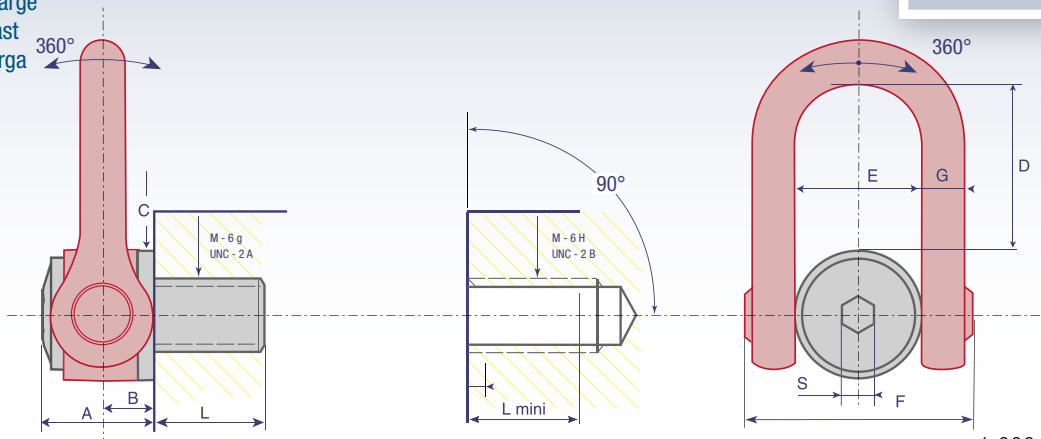
# DSS

**DOUBLE SWIVEL SHACKLE**  
**ANNEAU DE LEVAGE UNIVERSEL**  
**DOPPELWIRBELRINGSCHRAUBE**  
**CÁNCAMO GIRATORIO UNIVERSAL**



HIGH TENSILE ■ HAUTE RESISTANCE ■ HOCHFEST ■ ALTA RESISTENCIA

Swiveling under load  
 Pivotant sous charge  
 Drehbar unter Last  
 Giratorio bajo carga



[www.codipro.net](http://www.codipro.net)

1,000 LBS = 0,4536 TO

| Reference<br>Référence<br>Referenz | WLL<br>CMU<br>Höchstbelastung<br>CMU | Safety factor<br>Coef. sécurité<br>Sicherheitsfaktor<br>Coef. seguridad | Diameter<br>Diamètre<br>Durchmesser<br>Diámetro | ø | P | standard<br>L1 | N.m<br>Foot.LBS   | S    | A  | B  | C   | D   | E  | F   | G  | Weight<br>Poids<br>Gewicht<br>Peso |
|------------------------------------|--------------------------------------|---|---|---|---|----------------|-------------------|------|----|----|-----|-----|----|-----|----|------------------------------------|
| DSS M 24                           | 4,5 TO                               | 5   | M24 (x3)  |   |   | 36             | 160               | 19   | 61 | 31 | 70  | 104 | 73 | 145 | 29 | 5,4 Kg                             |
| DSS M 30                           | 7,3 TO                               | 5   | M30 (x3,5)                                      |   |   | 45             | 250               | 19   | 61 | 31 | 70  | 104 | 73 | 145 | 29 | 5,5 Kg                             |
| DSS M 33                           | 8 TO                                 | 5   | M33 (x3,5)                                      |   |   | 50             | 250               | 19   | 61 | 31 | 70  | 104 | 73 | 145 | 29 | 5,5 Kg                             |
| DSS M 36                           | 10 TO                                | 5   | M36 (x4)  |   |   | 54             | 320               | 19   | 61 | 31 | 70  | 104 | 73 | 145 | 29 | 5,5 Kg                             |
| DSS M 36x3                         | 10 TO                                | 5   | M36 (x3)  |   |   | 54             | 320               | 19   | 61 | 31 | 70  | 104 | 73 | 145 | 29 | 5,5 Kg                             |
| DSS M 39                           | 10 TO                                | 5   | M39 (x4)  |   |   | 58             | 320               | 19   | 61 | 31 | 70  | 104 | 73 | 145 | 29 | 5,7 Kg                             |
| DSS M 42                           | 12,5 TO                              | 5   | M42 (x4,5)                                      |   |   | 63             | 400               | 19   | 61 | 31 | 70  | 104 | 73 | 145 | 29 | 5,8 Kg                             |
| DSS M 42x3                         | 12,5 TO                              | 5   | M42 (x3)  |   |   | 63             | 400               | 19   | 61 | 31 | 70  | 104 | 73 | 145 | 29 | 5,8 Kg                             |
| DSS M 45                           | 15 TO                                | 4   | M45 (x4,5)                                      |   |   | 63             | 400               | 19   | 61 | 31 | 70  | 104 | 73 | 145 | 29 | 5,9 Kg                             |
| DSS M 48                           | 20 TO                                | 4   | M48 (x5)  |   |   | 68             | 600               | 19   | 79 | 38 | 90  | 125 | 91 | 184 | 36 | 11 Kg                              |
| DSS M 48x3                         | 20 TO                                | 4   | M48 (x3)  |   |   | 68             | 600               | 19   | 79 | 38 | 90  | 125 | 91 | 184 | 36 | 11 Kg                              |
| DSS M 48x4                         | 20 TO                                | 4   | M48 (x4)  |   |   | 68             | 600               | 19   | 79 | 38 | 90  | 125 | 91 | 184 | 36 | 11 Kg                              |
| DSS M 52                           | 20 TO                                | 4   | M52 (x5)  |   |   | 68             | 600               | 19   | 79 | 38 | 90  | 125 | 91 | 184 | 36 | 11,2 Kg                            |
| DSS M 56                           | 25 TO                                | 4   | M56 (x5,5)                                      |   |   | 78             | 600               | 19   | 79 | 38 | 90  | 125 | 91 | 184 | 36 | 11,3 Kg                            |
| DSS M 56x4                         | 25 TO                                | 4   | M56 (x4)  |   |   | 78             | 600               | 19   | 79 | 38 | 90  | 125 | 91 | 184 | 36 | 11,4 Kg                            |
| DSS M 64                           | 32,1 TO                              | 4   | M64 (x6)  |   |   | 90             | 600               | 19   | 79 | 38 | 95  | 125 | 91 | 184 | 36 | 12,2 Kg                            |
| DSS M 64x4                         | 32,1 TO                              | 4   | M64 (x4)  |   |   | 90             | 600               | 19   | 79 | 38 | 95  | 125 | 91 | 184 | 36 | 12,2 Kg                            |
| DSS M 72                           | 25 TO                                | 4   | M72 (x6)  |   |   | 90             | 600               | 19   | 79 | 38 | 100 | 125 | 91 | 184 | 36 | 14 Kg                              |
| DSS M 72x4                         | 25 TO                                | 4   | M72 (x4)  |   |   | 90             | 600               | 19   | 79 | 38 | 100 | 125 | 91 | 184 | 36 | 14 Kg                              |
| DSS M 80                           | 32,1 TO                              | 4   | M80 (x6)  |   |   | 90             | 600               | 19   | 79 | 38 | 100 | 125 | 91 | 184 | 36 | 15 Kg                              |
| DSS M 90                           | 32,1 TO                              | 4   | M90 (x6)  |   |   | 90             | 600               | 19   | 79 | 38 | 100 | 125 | 91 | 184 | 36 | 15,5 Kg                            |
| DSS M 100                          | 32,1 TO                              | 4   | M100 (x6)                                       |   |   | 90             | 600               | 19   | 79 | 38 | 110 | 125 | 91 | 184 | 36 | 16,5 Kg                            |
| DSS U 100                          | 10,000 LBS                           | 5   | UNC 1"-8  |   |   | 36             | 160               | 19   | 61 | 31 | 70  | 104 | 73 | 145 | 29 | 5,4 Kg                             |
| DSS U 125                          | 14,000 LBS                           | 5   | UNC 1 1/4-7                                     |   |   | 45             | 200 <sub>FL</sub> | 3/4" | 61 | 31 | 70  | 104 | 73 | 145 | 29 | 5,4 Kg                             |
| DSS U 138                          | 20,000 LBS                           | 5   | UNC 1 3/8-6                                     |   |   | 54             | 300 <sub>FL</sub> | 3/4" | 61 | 31 | 70  | 104 | 73 | 145 | 29 | 5,4 Kg                             |
| DSS U 150                          | 20,000 LBS                           | 5   | UNC 1 1/2-6                                     |   |   | 54             | 300 <sub>FL</sub> | 3/4" | 61 | 31 | 70  | 104 | 73 | 145 | 29 | 5,4 Kg                             |
| DSS U 200                          | 50,000 LBS                           | 4   | UNC 2"-4 1/2                                    |   |   | 76             | 450 <sub>FL</sub> | 3/4" | 79 | 38 | 90  | 125 | 91 | 184 | 33 | 11,1 Kg                            |
| DSS U 250                          | 55,000 LBS                           | 4   | UNC 2 1/2-4                                     |   |   | 90             | 600               | 19   | 79 | 38 | 95  | 125 | 91 | 184 | 36 | 12,2 Kg                            |

Other variants of the fixing axis available upon request / Autres variantes de l'axe de fixation sur demande / Weitere Varianten der Verbindungsbolzen auf Anfrage / Otras variantes del eje de fijación bajo solicitud

